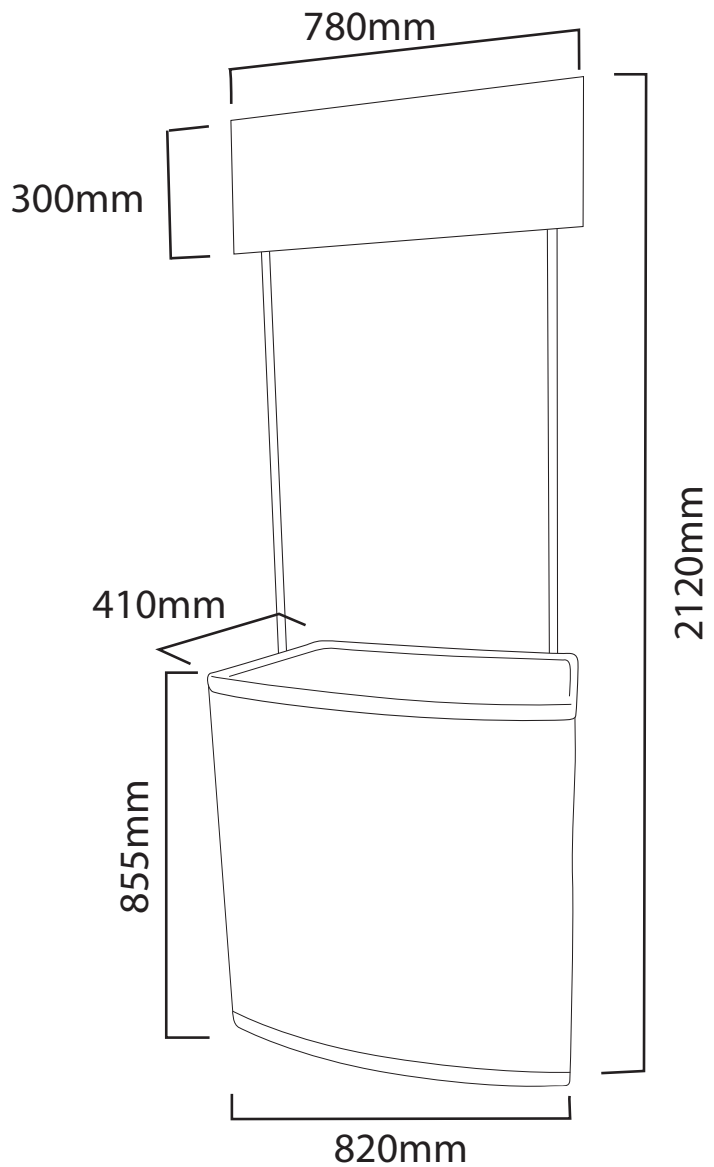


Counter Promoter Unit



back view indicating internal shelving



unit dimensions (all approx)

hardware specifications	graphic specifications	additional info
Hardware Dimensions (mm) 2120 (h) x 820 (w) x 410 (d) approx. Base Dimensions (mm): 855 (h) x 820 (w) x 410 (d) approx. Weight: 8.7kg approx (inc carry bag)	Recommended graphic dimensions for front of base (mm): 760 (h) x 810 (w) approx. Header dimensions (mm): 300 (h) x 780 (w) approx.	Graphics may be screen printed directly onto the base wrap. Self adhesive vinyl graphics may also be mounted onto the base wrap and header.